

Owner's Manual



TOW BROADCAST SPREADER

Model No. 486.245951

DO NOT RETURN TO STORE
For Missing Parts or Assembly
Questions Call 1-866-576-8388



CAUTION:

Before using this product, read this manual and follow all Safety Rules and Operating Instructions.

- Safety
- Assembly
- Operation
- Maintenance
- Parts

Sears, Roebuck and Co., Hoffman Estates, IL 60179 U.S.A.
www.sears.com/craftsman

TABLE OF CONTENTS

SAFETY RULES.....	3	SERVICE AND ADJUSTMENTS.....	13
FULL SIZE HARDWARE CHART.....	4	TROUBLESHOOTING.....	13
CARTON CONTENTS.....	5	REPAIR PARTS ILLUSTRATION.....	14
ASSEMBLY.....	5	REPAIR PARTS LIST.....	15
OPERATION.....	10	PARTS ORDERING/SERVICE.....	Back Page
MAINTENANCE/STORAGE.....	12		

WARRANTY

ONE YEAR FULL WARRANTY

When operated and maintained according to the instructions supplied with it, if this Spreader fails due to a defect in material or workmanship within one year from the date of purchase, call 1-800-4-MY-HOME® to arrange for free repair (or replacement if repair proves impossible).

If this product is used for commercial or rental purposes, this warranty applies for only 90 days from the date of purchase.

This warranty gives you specific legal rights, and you may also have other rights which vary from state to state.

Sears, Roebuck and Co., D817WA, Hoffman Estates, IL 60179

The model number and serial numbers will be found on a decal attached to the tubular frame.

You should record both the serial number and the date of purchase and keep in a safe place for future reference.

MODEL NUMBER: 486.245951

SERIAL NUMBER: _____

DATE OF PURCHASE: _____



SAFETY



Any power equipment can cause injury if operated improperly or if the user does not understand how to operate the equipment. Exercise caution at all times, when using power equipment.

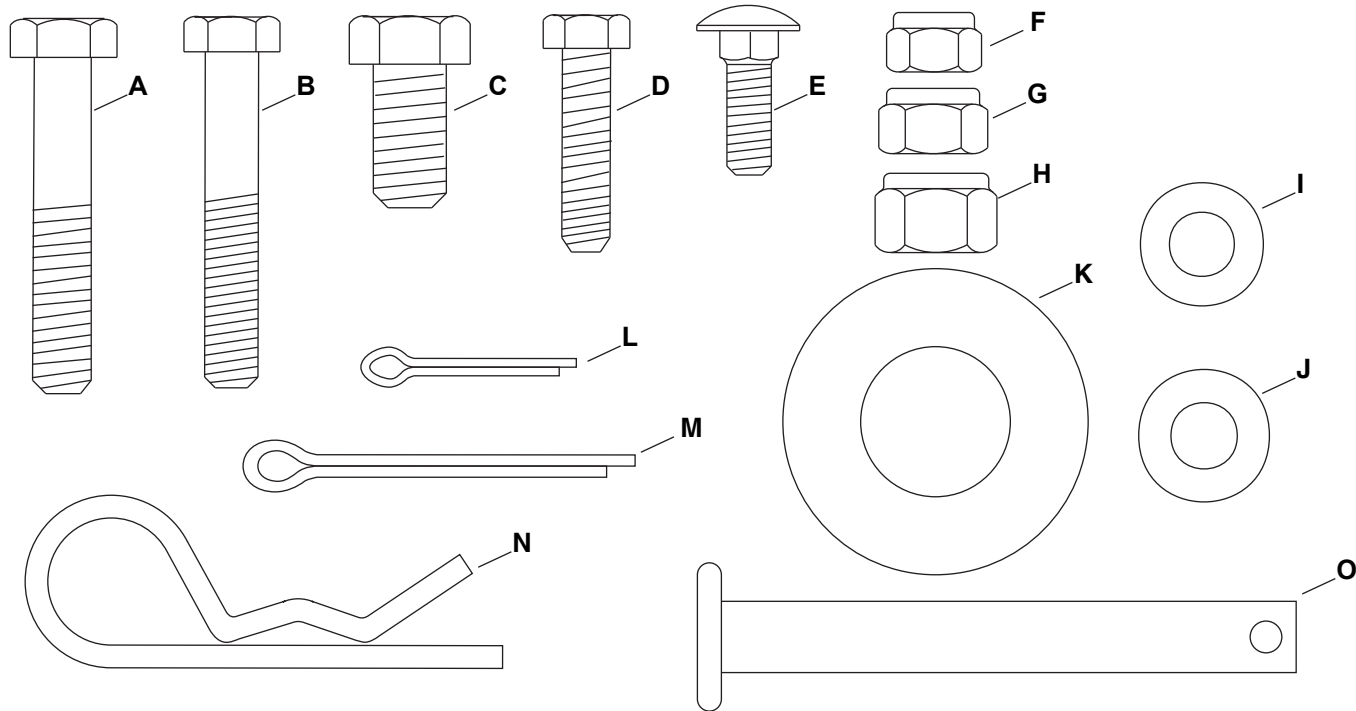
- Read the towing vehicle owners manual and towing vehicle safety rules. Know how to operate your tractor before using the broadcast spreader attachment.
- Read the chemical label instructions and cautions for handling and applying the chemicals purchased for spreading.
- Wear eye and hand protection when handling and when applying lawn or garden chemicals.
- Never operate tractor and spreader attachment without wearing substantial footwear, and do not allow anyone to ride or sit on spreader attachment frame.
- Never allow children to operate the tractor or spreader attachment, and do not allow adults to operate without proper instructions.
- Always begin with the transmission in first (low) gear and with the engine at low speed, and gradually increase speed as conditions permit.
- When towing broadcast spreader do not drive too close to a creek or ditch and be alert for holes and other hazards which could cause you to loose control of the broadcast spreader and tractor.
- Before operating vehicle on any grade (hill) refer to the safety rules in the vehicle owner's manual concerning safe operation on slopes. **Stay off steep slopes!**
- Follow maintenance and lubrication instructions as outlined in this manual.



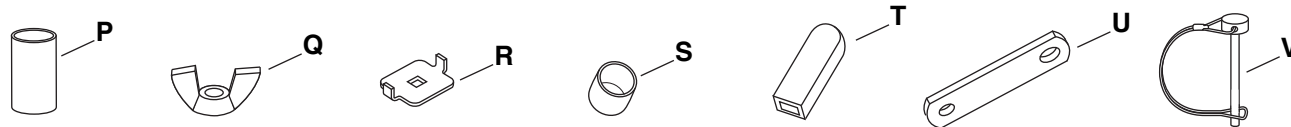
Look for this symbol to point out important safety precautions. It means — **Attention!! Become alert!! Your safety is involved.**

HARDWARE PACKAGE CONTENTS

SHOWN FULL SIZE



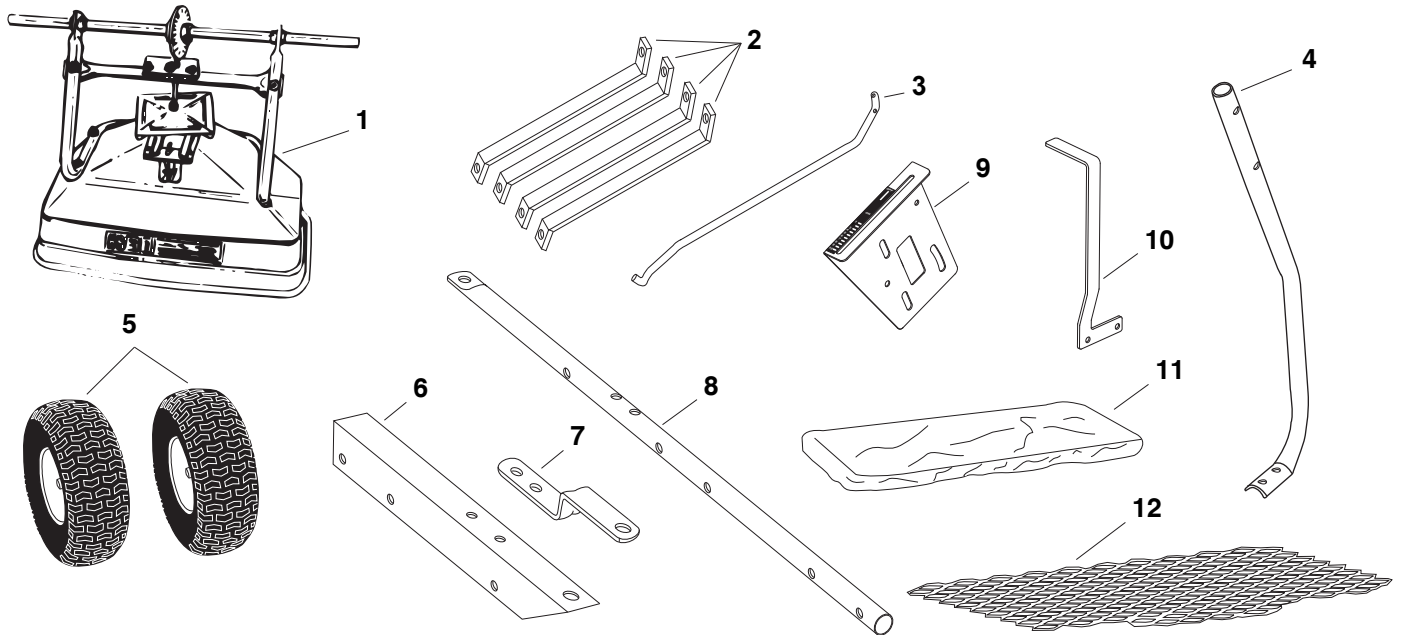
NOT SHOWN FULL SIZE



KEY	QTY.	DESCRIPTION	KEY	QTY.	DESCRIPTION
A	4	Hex Bolt, 5/16" x 1-3/4"	L	1	Cotter Pin, 3/32" x 3/4"
B	6	Hex Bolt, 1/4" x 1-3/4"	M	2	Cotter Pin, 1/8 x 1-1/2"
C	2	Hex Bolt, 3/8" x 3/4"	N	1	Hair Cotter Pin, 1/8"
D	2	Hex Bolt, 1/4" x 1"	O	1	Hitch Pin
E	1	Carriage Bolt, 1/4" x 3/4"	P	2	Spacers
F	8	Nylock Hex Nut, 1/4"	Q	1	Nylon Wing Nut
G	4	Nylock Hex Nut, 5/16"	R	1	Adjustable Stop
H	2	Nylock Hex Nut, 3/8"	S	1	Vinyl Cap
I	4	Nylon Washer	T	1	Grip
J	7	Flat Washer, 5/16"	U	1	Flow Control Link
K	4	Flat Washers 3/4"	V	1	Drive Pin

CARTON CONTENTS

1. Hopper Assembly
 2. Braces (4)
 3. Flow Control Rod
 4. Flow Control Mounting Tube
 5. Wheels (2)
 6. Hitch Extension Bracket
 7. Hitch Bracket
 8. Hitch Tube
 9. Flow Control Mount Bracket
 10. Flow Control Arm
 11. Hopper Cover
 12. Screen
- Hardware Package (see page 4)



ASSEMBLY

TOOLS REQUIRED FOR ASSEMBLY

- (1) Pliers
- (2) 7/16" Wrenches
- (2) 1/2" Wrenches
- (2) 9/16" Wrenches

REMOVAL OF PARTS FROM CARTON

Remove all parts and hardware packages from the carton. Lay out all parts and hardware and identify using the illustrations on pages 4 and 5.

- Turn the spreader upside down as shown in figure 1.
- Remove the lock nut from the middle bolt in the crossover tube and shaft support plate. Leave the bolt in place. See figure 1.
- Assemble the hitch tube onto the middle bolt and secure it with the same lock nut you removed. **DO NOT TIGHTEN YET.** See figure 1.

IMPORTANT: The hitch tube must attach to the side of the crossover tube opposite the shaft support plate.

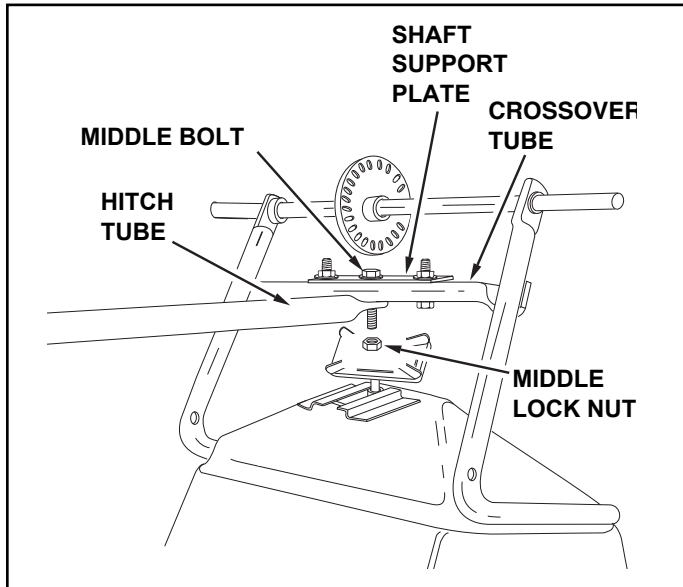


FIGURE 1

- Assemble two hitch braces per side to the inside of the hopper frame using a 1/4" x 1-3/4" hex bolt and 1/4" hex lock nut on each side. **DO NOT TIGHTEN YET.** See figure 2.
- Assemble the **OUTER** hitch braces to the hitch tube using a 1/4" x 1-3/4" hex bolt and a 1/4" nylock hex nut. **DO NOT TIGHTEN YET.** Do not assemble the inner hitch braces at this time. See figure 2.

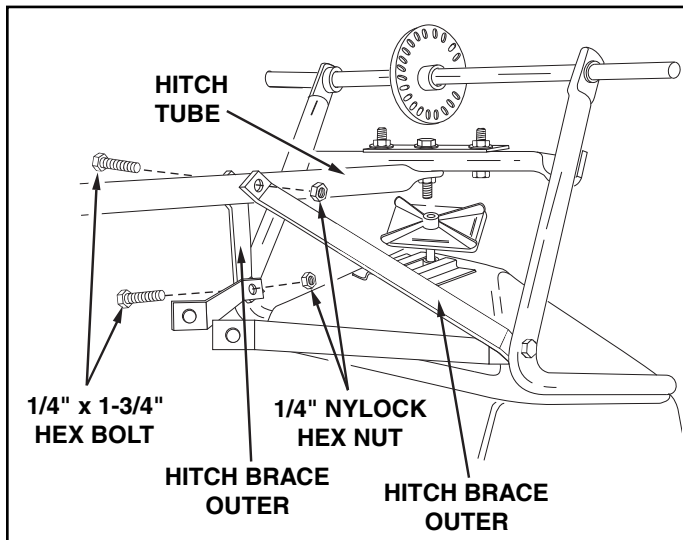


FIGURE 2

- Assemble a spacer, a 3/4" flat washer, a wheel (air valve facing out) and another 3/4" flat washer onto the end of the axle that has only the **small hole**. See figure 3.
- Install a 1/8" x 1-1/2" cotter pin into hole in the axle. See figure 3.

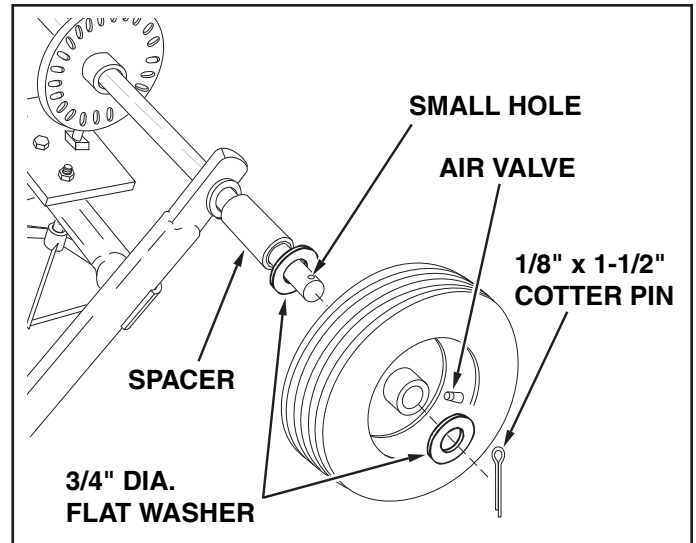


FIGURE 3

- Assemble a spacer, a 3/4" flat washer, a wheel (air valve facing out) and another 3/4" flat washer onto the end of the axle that has both the **large and small holes**. See figure 4.
- Install a 1/8" x 3/4" cotter pin into the small hole in the end of the axle. See figure 4.
- Open the bail on the drive pin and install it through the wheel and the large hole in the axle. Close the bail to lock the pin in place. See figure 4.

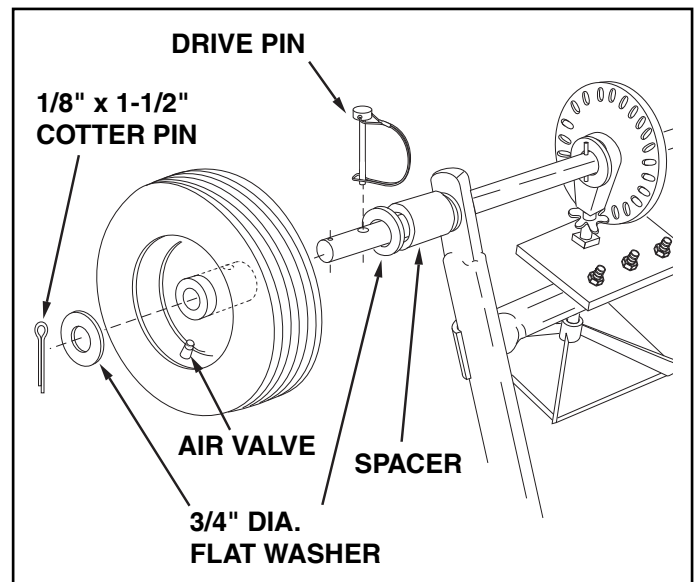


FIGURE 4

- Turn the spreader upright on its wheels.
- Assemble the flow control mounting tube to the hitch tube using two 5/16" x 1-3/4" hex bolts and 5/16" nylock hex nuts. **DO NOT TIGHTEN YET.** See figure 5.
- Assemble the vinyl cap onto the flow control mounting tube. See figure 5.

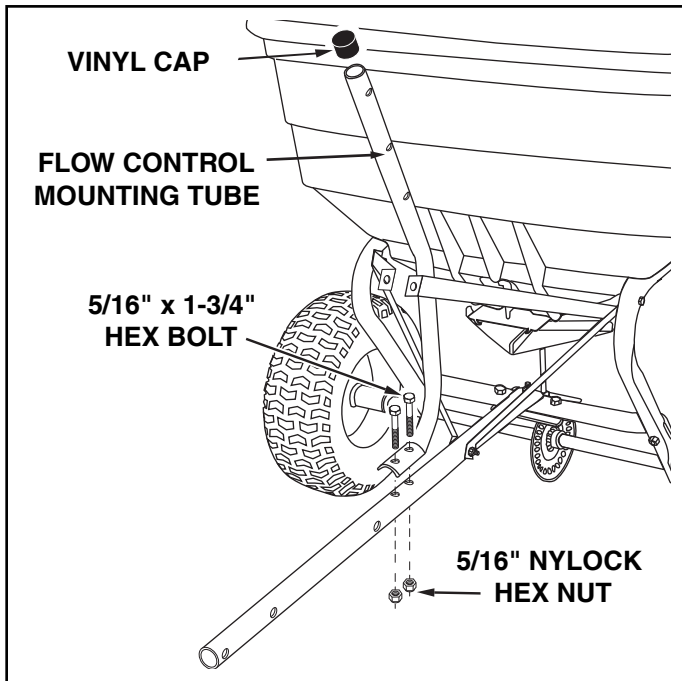


FIGURE 5

- Assemble the two **INNER** hitch braces to the flow control mounting tube using a 1/4" x 1-3/4" hex bolt and a 1/4" nylock hex nut. **DO NOT TIGHTEN YET.** See figure 6.
- **TIGHTEN** all nuts and bolts assembled up to this point. **Do not collapse the tubes when tightening.**

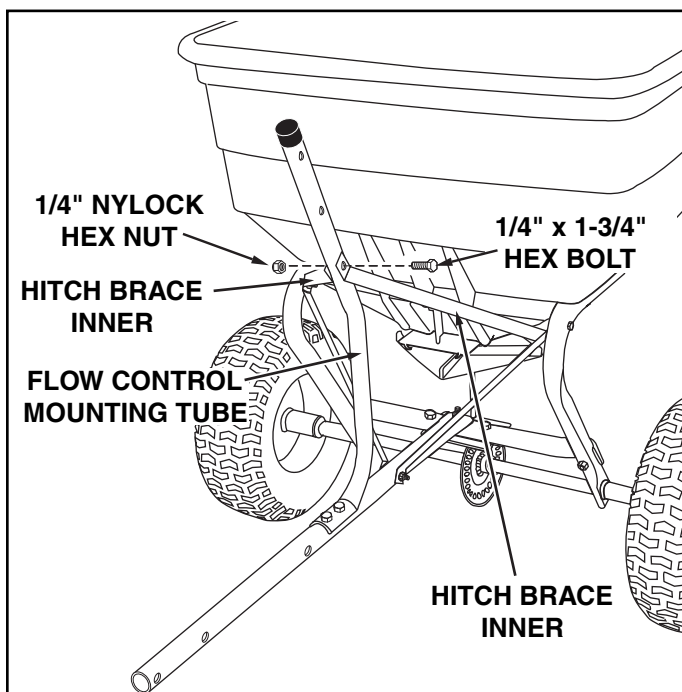


FIGURE 6

- Assemble the flow control mounting bracket to the flow control mounting tube using two 5/16" x 1-3/4" hex bolts, four 5/16" flat washers and two 5/16" nylock hex nuts. **DO NOT TIGHTEN YET.** See figure 7.

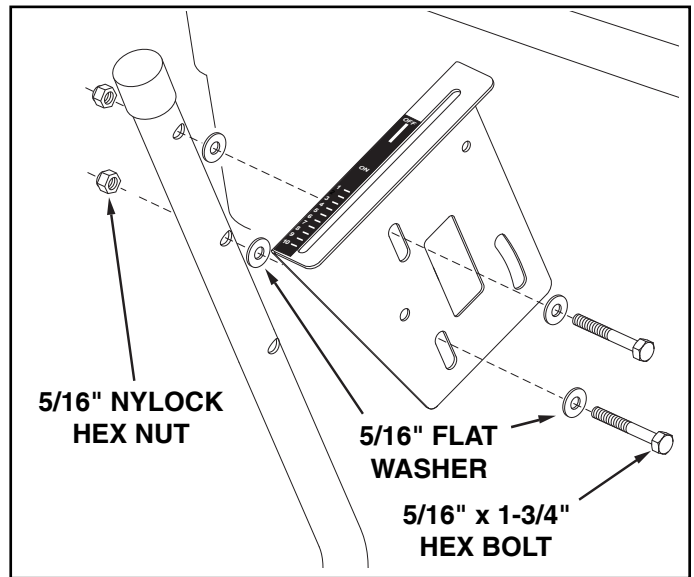


FIGURE 7

- Assemble the vinyl grip onto the flow control arm. See figure 8.
- Insert the flow control bracket down through the slot in the flow control bracket. Assemble the small hole of the flow control link to the flow control arm using a 1/4" x 1" hex bolt, a nylon washer and a 1/4" nylock hex nut as shown in figure 8. **Tighten carefully.** The flow control link should be snug but should pivot with no more than slight resistance.

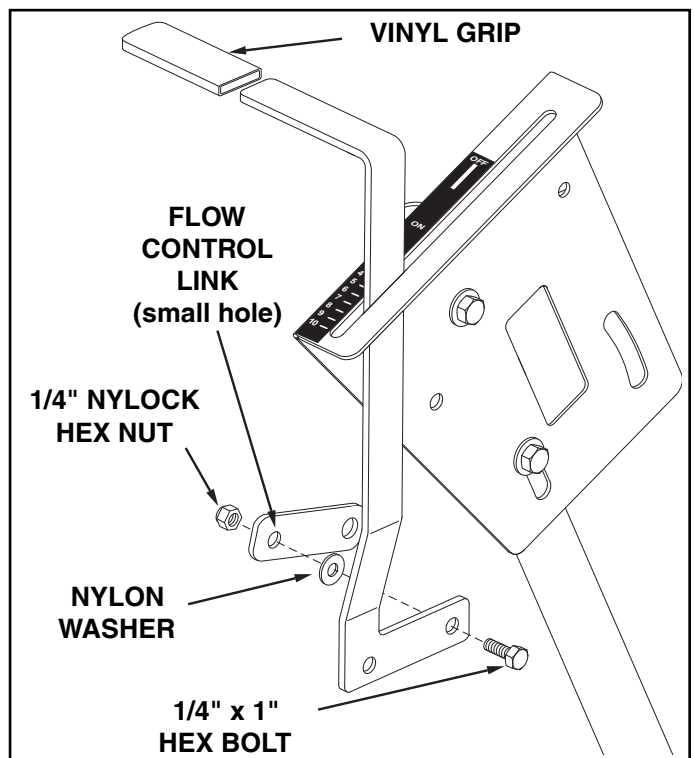


FIGURE 8

- Assemble the flow control arm to the flow control mounting bracket using a 1/4" x 1" hex bolt, two nylon washers and a 1/4" nylock hex nut. **Tighten carefully.** The flow control arm should be snug but should pivot with no more than slight resistance. See figure 9.

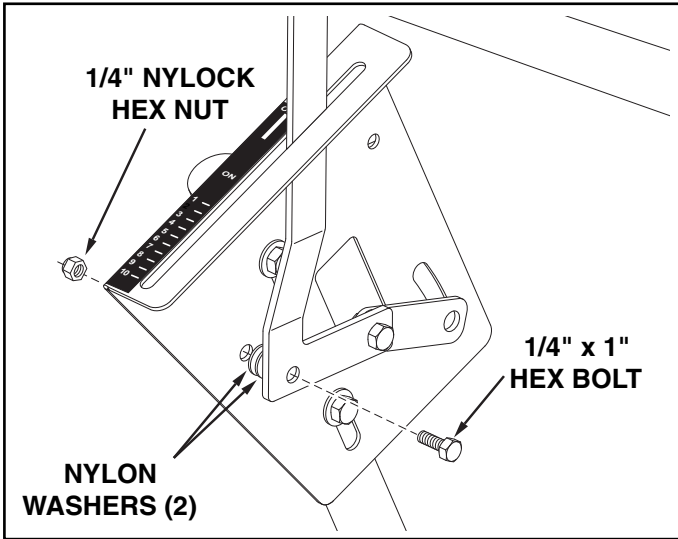


FIGURE 9

- Hook the double bent end of the flow control rod through the hole in the slide gate bracket located near the bottom of the hopper. See figure 10.

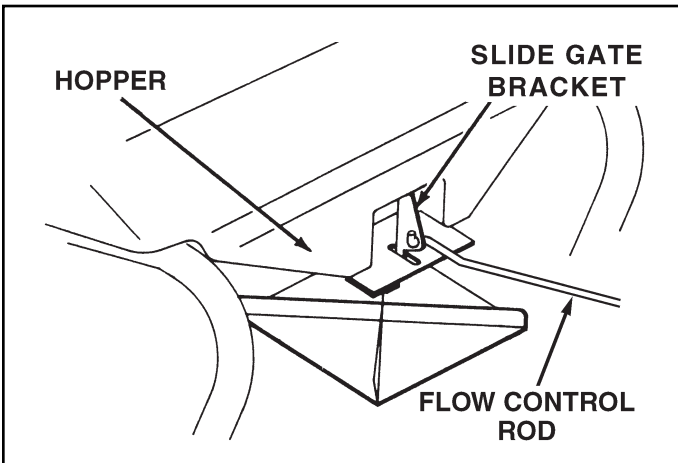


FIGURE 10

- Place a 5/16" flat washer onto the other end of the flow control rod. Insert the end of the rod through the curved slot in the flow control mounting bracket and through the hole in the flow control link. Secure with a 5/16" flat washer and a 3/32" x 3/4" cotter pin. See figure 11.

NOTE: You can leave off the second washer if there is not enough room on the end of the rod.

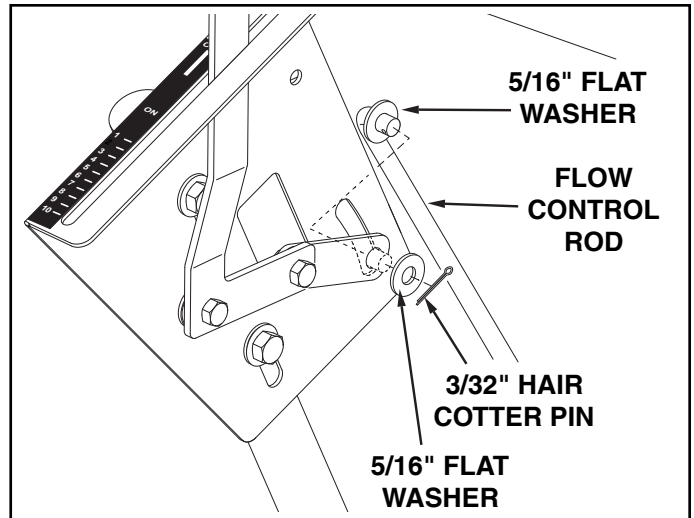


FIGURE 11

- Place the adjustable stop into the "ON" end of the slot in the top of the flow control mounting bracket. Secure with the 1/4" x 3/4" carriage bolt, a nylon washer, a 5/16" flat washer and the nylon wing nut. See figure 12.

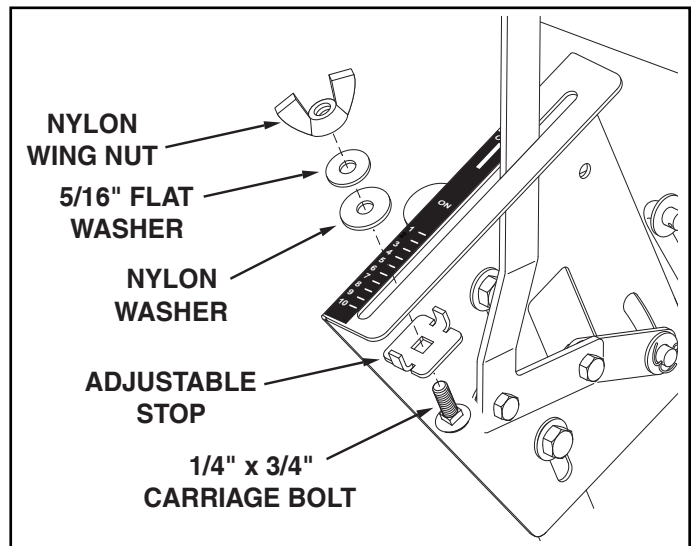


FIGURE 12

- Position the flow control mounting bracket. See figure 13.
 - Push on flow control arm until it locks in "OFF" position.
 - Slide flow control mounting bracket along tube until closure plate in bottom of hopper just closes.
 - Snug the 5/16" nylock hex nuts just enough to hold flow control mounting bracket in place.
 - Set adjustable stop at "5". Pull flow control arm against stop. Verify that closure plate has opened about half way.
 - If closure plate does not open half way, adjust position of flow control mounting bracket until closure plate will open about half way at "5" and will still close when arm is locked in "OFF" position. **Tighten** the 5/16" nylock hex nuts.

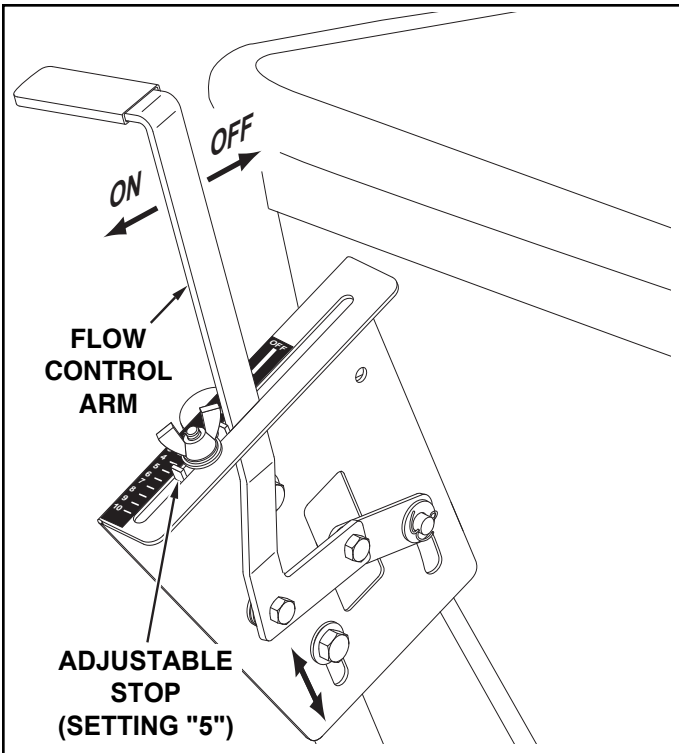


FIGURE 13

24. Place the screen down into the hopper, sliding the edge of the screen under one of the clips. Slightly bow the screen to slide the opposite side of the screen under the other clip. See figure 14.

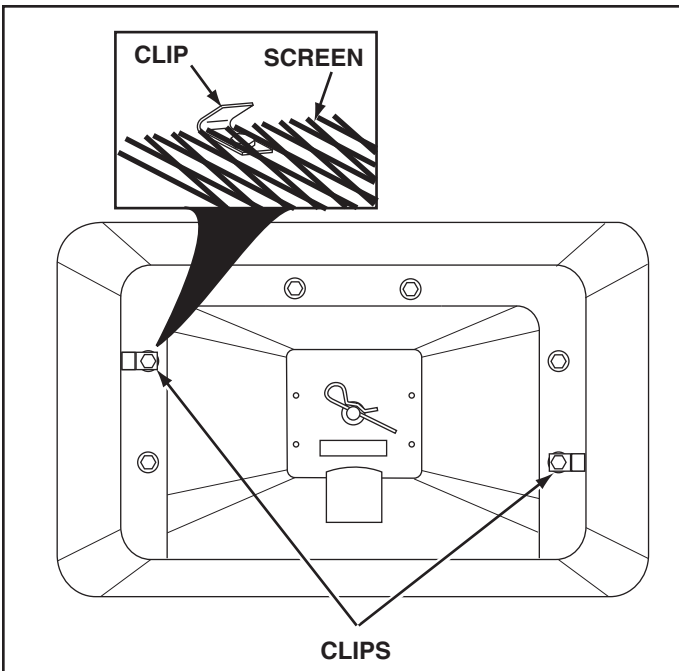


FIGURE 14

- Assemble the hitch bracket to the hitch extension bracket using two 3/8" x 3/4" hex bolts (inserted from the bottom) and two 3/8" nylock hex nuts. See figure 15.
- Assemble the hitch pin through the hitch bracket and the hitch extension bracket and secure with the hair cotter pin. See figure 15.

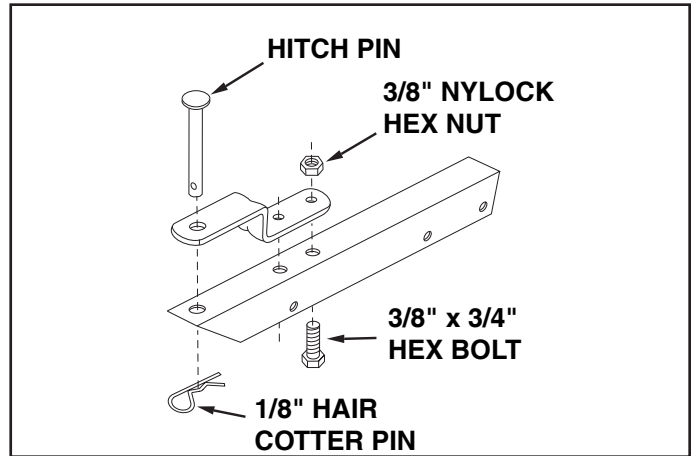


FIGURE 15

- For most vehicles, assemble the hitch extension bracket to the holes in the hitch tube shown at the **top** of figure 16. Use two 1/4" x 1-3/4" hex bolts and 1/4" nylock hex nuts tightened only finger tight. Attach the spreader hitch to your vehicle hitch. Check for interference with the spreader directly behind and out to both sides of the vehicle. Lift the spreader at each position to make sure there is no interference with the spreader's flow control. If there is interference with the rear of the vehicle, assemble the hitch extension bracket as shown at the **bottom** of figure 16. **Tighten** the bolts and nuts when finished.

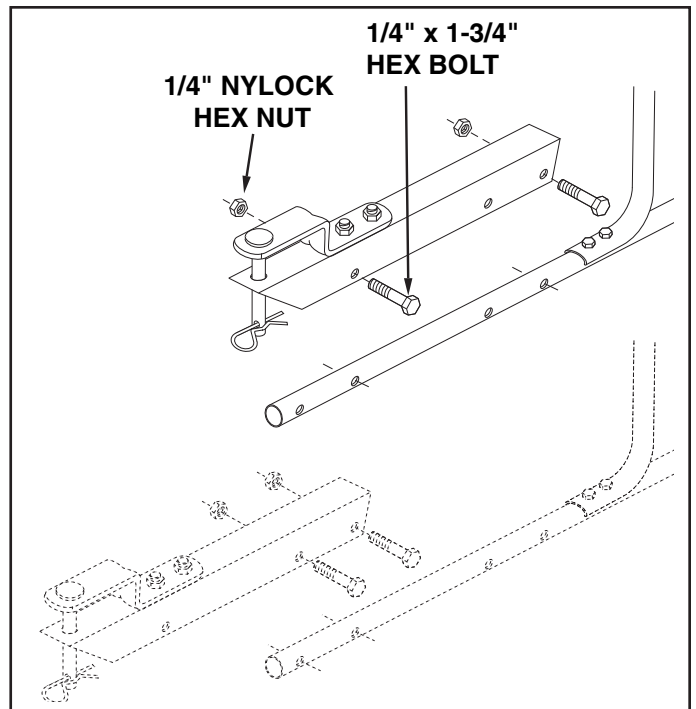


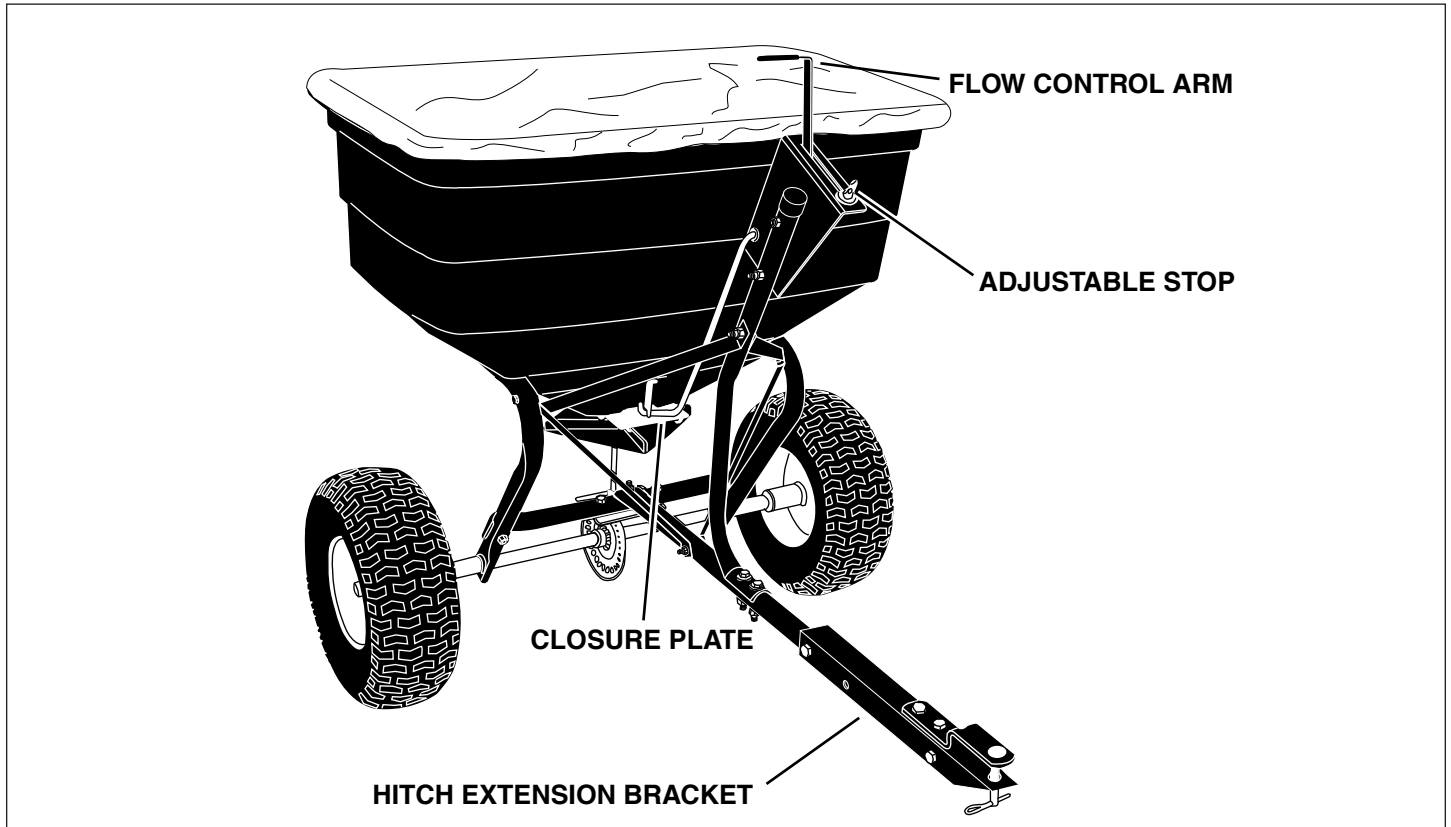
FIGURE 16

OPERATION

KNOW YOUR SPREADER

Read this owner's manual and safety rules before operating your spreader.

Compare the illustration below with your spreader to familiarize yourself with the various controls and their locations.



FLOW CONTROL ARM - Opens and closes the closure plate in the bottom of the hopper.

ADJUSTABLE STOP - Limits how far the closure plate opens.

CLOSURE PLATE - Slides to open or close the opening in the bottom of the hopper.

HITCH EXTENSION BRACKET - Adjusts to allow more clearance between the spreader and towing vehicle

HOW TO USE YOUR SPREADER

SETTING THE FLOW CONTROL

(Refer to figure 13 on page 9.)

- Loosen the nylon wing nut, set the adjustable stop to the desired flow rate setting and retighten the wing nut. The higher the setting number, the wider the opening in the bottom of the hopper.
- Refer to the application chart on page 11 and to the instructions on the fertilizer bag to select the proper flow rate setting.
- Pull the flow control arm against the adjustable stop for the on position and toward the hopper for the off position.

DISENGAGING THE DRIVE WHEEL (Freewheeling)

(Refer to figure 4 on page 6.)

- Remove the drive pin from the left wheel to disengage the wheel from the axle and gear mechanism. This prevents excessive wear or damage to the spreading mechanism when transporting the spreader. With the drive wheel disengaged, the spreader may be towed at speeds up to 20 mph. If the drive wheel is engaged do not exceed 6 mph.

OPERATING TIPS

We do not recommend the use of any powdered lawn chemicals, due to difficulty in obtaining a satisfactory or consistent broadcast pattern.

- Determine approximate square footage of area to be covered and estimate amount of material required.
- Before filling the hopper make sure the flow control arm is in the off position and the closure plate is shut.
- Break up any lumpy fertilizer as you fill the hopper.
- Set the adjustable stop with the flow control arm still in the off position. Refer to the application chart on this page and to the instructions on the fertilizer bag to select the proper flow rate setting.
- The application chart is calculated for light to heavy application at a vehicle speed of 3 mph, or 100 ft. in 23 seconds. A variation in speed will require an adjustment of the flow rate to maintain the same coverage. The faster you drive, the wider the broadcast width.
- Make sure the drive pin is installed in the left (drive) wheel before starting the spreader.
- Always start the vehicle in motion before opening closure plate.
- Always shut the closure plate before turning or stopping the vehicle.
- If fertilizer is accidentally deposited too heavily in a small area, soak the area thoroughly with a garden hose or sprinkler to prevent burning of the lawn.
- To insure uniform coverage, make each pass so that the broadcast pattern slightly overlaps the pattern from the previous pass as shown in figure 17. The approximate broadcast widths for different materials are shown in the application chart on this page.

- When broadcasting weed control fertilizers, make sure the broadcast pattern does not hit evergreen trees, flowers or shrubs.
- Heavy moisture conditions may require a cover over the hopper to keep contents dry. The vinyl cover acts as a wind and moisture shield, but should not be used as a rain cover.

IMPORTANT: Application rates shown in the chart are affected by humidity and by the moisture content of the material (granular and pellet). Some minor setting adjustments may be necessary to compensate for this condition.

APPLICATION CHART (SHIELD UP)		
TYPE MATERIAL	FLOW SETTING	SPREAD WIDTH
FERTILIZER		
Powder	3 - 5	3' - 4'
Granular	3 - 5	8' - 10'
Pelleted	3 - 5	10' - 12'
Organic	6 - 8	6' - 8'
GRASS SEED		
Fine	3 - 4	6' - 7'
Coarse	4 - 5	8' - 9'
ICE MELTER	6 - 8	10' - 12'

OPERATING SPEED - 3 MPH. (100 ft. in 23 seconds)

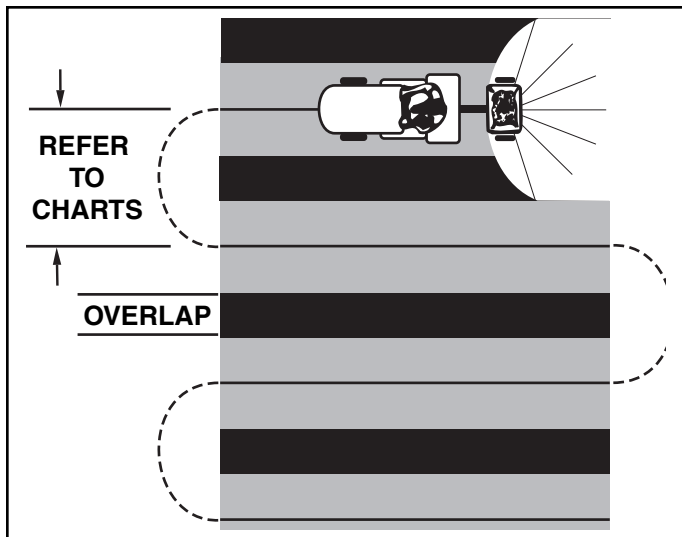


FIGURE 17

MAINTENANCE/STORAGE

CUSTOMER RESPONSIBILITIES

- Read and follow the maintenance schedule and the maintenance procedures listed in this section.

MAINTENANCE SCHEDULE Fill in dates as you complete regular service.	Service Dates											
	Before each use	After each use	Every season	Before storage	As instructed							
Check for loose fasteners	X											
Check for worn or damaged parts	X			X								
Check tire inflation	X											
Cleaning		X		X								
Lubricate			X		X							

CHECK FOR LOOSE FASTENERS

- Before each use make a thorough visual check of the spreader for any bolts and nuts which may have loosened. Retighten any loose bolts and nuts.

CHECK FOR WORN OF DAMAGED PARTS

- Check for worn or damaged parts before each use. Repair or replace parts if necessary.

CHECK TIRE INFLATION

- Check if tires are adequately inflated before each use. Do not inflate beyond maximum recommended pressure.



CAUTION: DO NOT inflate tires beyond the maximum recommended pressure printed on side of tire.

CLEANING

- Rinse inside of hopper and exterior of spreader and dry off before storing.

LUBRICATE (See figure 18.)

- Lightly apply automotive grease as needed to the sprocket and gear.
- Oil the nylon bushings on the vertical sprocket shaft and on the axle at least once a year, or more often as needed.
- Oil right hand (idler) wheel bearing at least once a year or more often as needed.

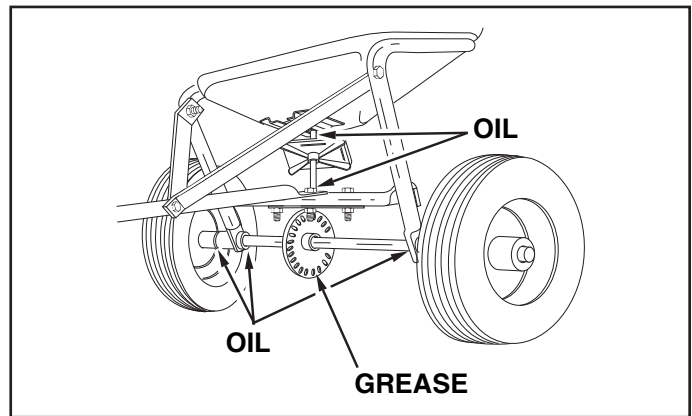


FIGURE 18

STORAGE

- Rinse inside of hopper and exterior of spreader and dry off before storing.
- Store in a clean, dry area.

SERVICE AND ADJUSTMENTS

REPLACING SLOTTED GEAR

- If the axle, slotted gear and sprocket assembly is disassembled, mark down the positions of the parts as they are removed. The drive wheel and sprocket positions in relation to the slotted gear determine which direction the spreader plate will spin. Be sure to reassemble them in their original positions. (Refer to figure 4 on page 6.) Use shim washers (Ref. no. 21 on pages 14 and 15) as needed for minimum backlash. Add grease to gear and sprocket.

REPLACING AGITATOR

- If the agitator hairpin becomes damaged or worn it can be replaced. See figure 19.

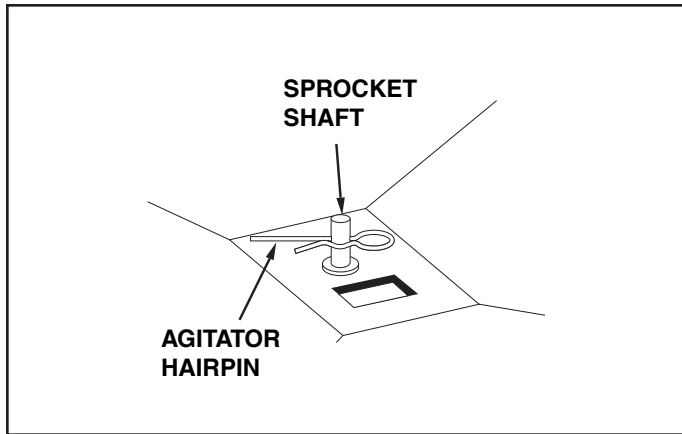


FIGURE 19

LOCKED UP SPREADER

- Turn the spreader over so that the wheels are off the ground.
- Loosen all three nuts on the shaft support plate just enough so that the bolts can be turned easily with a wrench but cannot be turned by hand.
- Spin the drive wheel and note how freely it spins and how much noise the slotted gear makes.
- To free up the wheel and gear, tap gently on the front or rear edge of the shaft support plate to move it slightly forward or backward. You can also tap at the corners of the plate to angle it slightly.
- Spin the drive wheel after each adjustment to see if it spins more freely and if the gear noise is reduced.
- Continue making slight adjustments until you find the position where the drive wheel spins most freely and the gear makes the least noise.
- Secure the shaft support plate in this position by retightening all three nuts that you loosened.

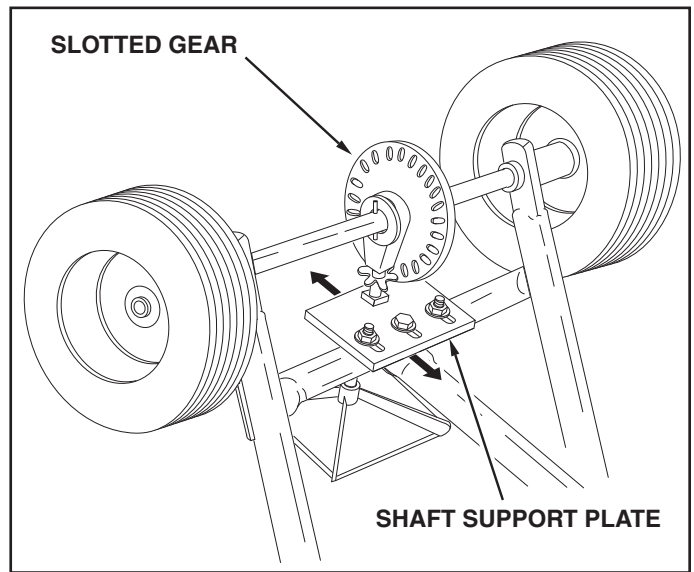


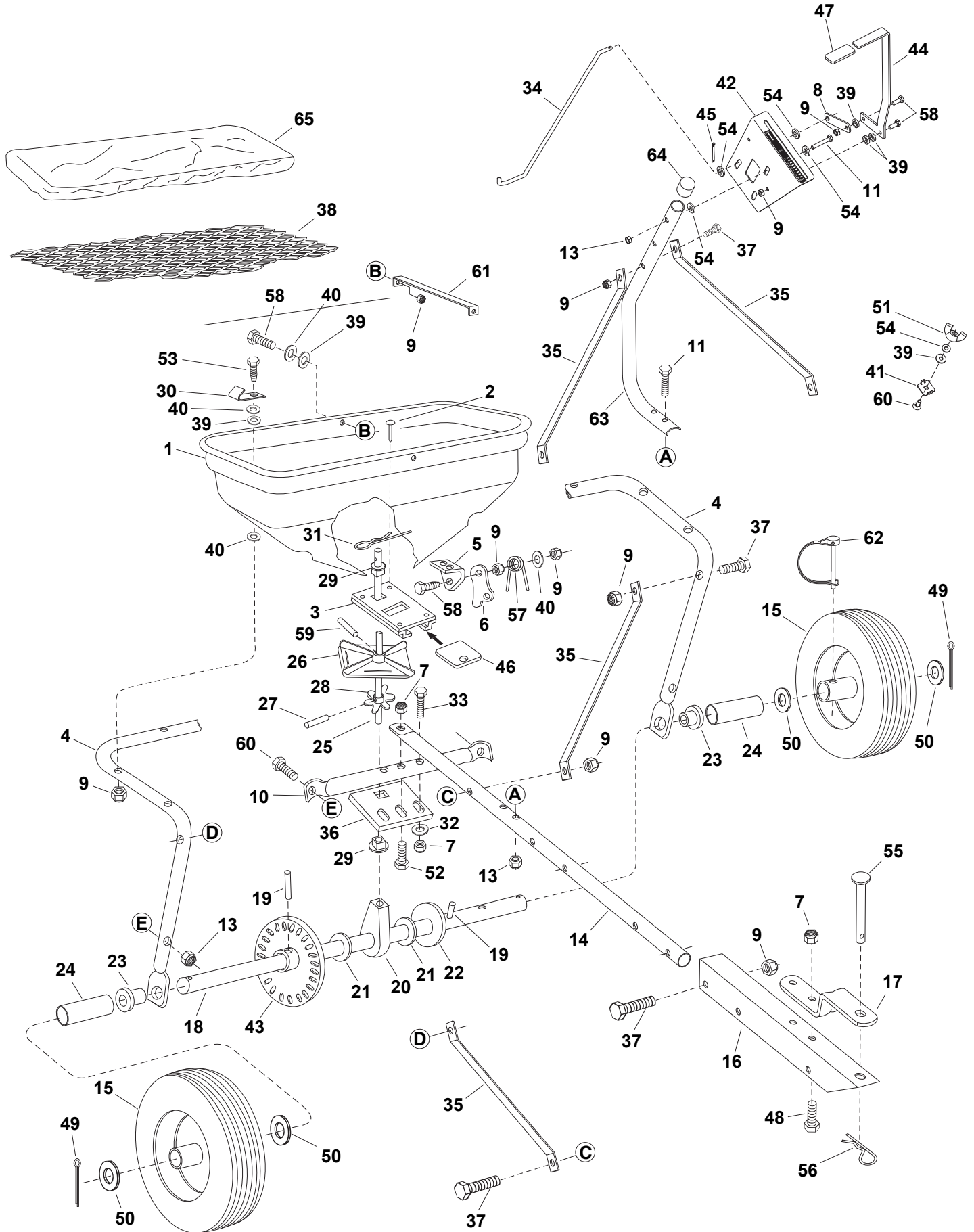
FIGURE 20

TROUBLESHOOTING

PROBLEM	CAUSE	CORRECTION
Flow rate is not accurate.	1. Flow controls out of adjustment.	1. Adjust the flow control bracket as described on pages 8-9.
Material will not flow out of bottom of hopper properly.	1. Closure plate in bottom of hopper is not open enough. 2. Material is clumping at bottom of hopper.	1. Change the flow control setting to match the application chart. 2. a. Stir or sift to break up clumps. b. Wait for drier weather.

PARTS

REPAIR PARTS FOR MODEL 486.245951



REPAIR PARTS FOR MODEL 486.245951

REF. NO.	PART NO.	QTY.	DESCRIPTION	REF. NO.	PART NO.	QTY.	DESCRIPTION
1	44480	1	Hopper	35	23525	4	Brace, Hitch
2	43882	4	Rivet, Stainless	36	23762	1	Shaft Support Plate
3	65129	1	Ass'y, Guide Closure	37	1509-69	6	Bolt, Hex 1/4-20 x 1-3/4"
4	44462	1	Tube, Frame	38	47441	1	Screen
5	23753	1	Slide Gate Angle Bracket	39	1543-69	12	Washer, Nylon
6	23758	1	Slide Gate Bracket	40	43088	15	Washer, Flat 1/4" Std.
7	HA21362	6	Nut, Nylock Hex 3/8-16 Thd.*	41	24858	1	Stop, Adjustable
8	24857	1	Flow Control Link	42	24915	1	Bracket, Flow Control Mount
9	47189	16	Nut, Nylock Hex 1/4-20 Thd.*	43	62474	1	Gear Assembly
10	43808	1	Tube, Crossover	44	24917	1	Flow Control Arm
11	43084	4	Bolt, Hex 5/16-18 x 1-3/4" Lg.	45	44101	1	Cotter Pin 3/32" x 3/4" Lg.*
13	47810	6	Nut, Nylock Hex 5/16-18 Thd.*	46	23533	1	Plate, Closure
14	48864	1	Tube, Hitch	47	43848	1	Grip, Flow Control Arm
15	48511	2	Wheel	48	43407	2	Bolt, Hex 3/8-16 x 3/4" Lg.*
16	25080	1	Bracket, Hitch Extension	49	43093	2	Pin, Cotter 1/8" x 1-1/2"
17	23014	1	Bracket, Hitch	50	43009	4	Washer, Flat 3/4"
18	24914	1	Shaft, Axle	51	47141	1	Wing Nut, Nylon
19	43851	2	Pin, Spring 3/16" Dia. x 1-1/4" Lg.	52	HA180132	1	Bolt, Hex 3/8-16 x 2-1/4" Lg.*
20	43871	1	Bushing, Axle Shaft	53	46699	6	Bolt, Hex 1/4-20 x 2"
21	1540-32	5	Washer, Flat .78 I.D.	54	R19111116	7	Washer, 5/16 SAE
22	1540-162	1	Washer, Flat 1/2"	55	47623	1	Hitch Pin
23	47615	2	Bearing, Flange	56	43343	1	Hair Cotter Pin, 1/8"
24	47683	2	Tube, Spacer	57	44566	1	Spring, Torsion
25	25305	1	Shaft, Sprocket	58	43661	5	Bolt, Hex 1/4-20 x 1" Lg.*
26	04367	1	Spreader Plate	59	46055	1	Pin, Spring 1/8" Dia. x 1" Lg.
27	43850	1	Pin, Spring 1/8" Dia. x 5/8".	60	44950	1	Bolt, Carriage 1/4-20 x 3/4"
28	44468	1	Sprocket, 6 Tooth	61	44180	2	Bolt, Hex 5/16-18 x 2"
29	44285	2	Bushing, Delrin	62	48515	1	Drive Pin W/Bail, 1/4" x 2"
30	25672	2	Clip	63	48514	1	Flow Control Mounting Tube
31	48934	1	Hairpin Agitator	64	44481	1	Vinyl Cap
32	43070	5	Washer, Flat 3/8" *	65	40825	1	Vinyl Cover
33	43054	2	Bolt, Hex 3/8-16 x 2" Lg.*		49914	1	Owner's Manual
34	48586	1	Rod, Flow Control				

Get it fixed, at your home or ours!

Your Home

For repair – **in your home** – of **all** major brand appliances, lawn and garden equipment, or heating and cooling systems, **no matter who made it, no matter who sold it!**

For the replacement parts, accessories and owner's manuals that you need to do-it-yourself.

For Sears professional installation of home appliances and items like garage door openers and water heaters.

1-800-4-MY-HOME® (1-800-469-4663)

Call anytime, day or night (U.S.A. and Canada)

www.sears.com www.sears.ca

For expert home solutions advice: www.managemyhome.com

Our Home

For repair of carry-in items like vacuums, lawn equipment, and electronics, call or go on-line for the location of your nearest

Sears Parts & Repair Service Center

1-800-488-1222 (U.S.A.) 1-800-469-4663 (Canada)

Call anytime, day or night

www.sears.com www.sears.ca

To purchase a protection agreement on a product serviced by Sears:

1-800-827-6655 (U.S.A.)

1-800-361-6665 (Canada)

Para pedir servicio de reparación a domicilio, y para ordenar piezas:

1-888-SU-HOGAR®

(1-888-784-6427)

Au Canada pour service en français:

1-800-LE-FOYER^{MC}

(1-800-533-6937)

www.sears.ca

